

MENUMASTER[®] Commercial



MOC5241 shown with door open

Heavy Volume Menumaster Commercial Microwave Model MOC5241

Power Output

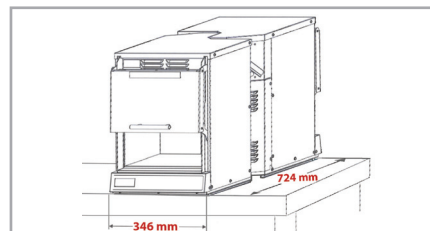
- 2400 watts of power for high power density
- Top and bottom magnetrons.

Increased Productivity

- Short cook times for single serving applications, up to 42% faster.
- Increased throughput by door automatically opening when cooking cycle is complete and remaining open until ready to cook.
- Closing door and pushing control pad is one operator motion.
- Door design does not interfere with kitchen flow.
- Small, "jigsaw" shaped footprint allows for back-to-back placement on a 724 mm (28 1/2") shelf using only 346 mm (13 5/8") of space. A shelf extender accessory attaches to an existing shelf to extend it out to 724 mm (28 1/2").

Easy to Use and Maintain

- Control panel located on bottom for convenient access and angled for easy viewing.
- Plug and play operation.
- Door extends out for easy cleaning.
- ETL Listed for safety.



Two units fit back-to-back on a 724 mm (28 1/2") shelf in a 346 mm (13 5/8") space

Heavy Volume

This category of microwave is ideal for...

Applications:

Quick service restaurants

- single portions, bun warming

Through put potential:

- melts cheese on burgers in 8 seconds
- heats spinach dip from frozen in 1 minute 30 seconds
- heats macaroni and cheese from frozen in 1 minute 10 seconds

Location of oven(s):

- kitchen shelf, single or back to back
- kitchen counter, single or back to back

Defrost:

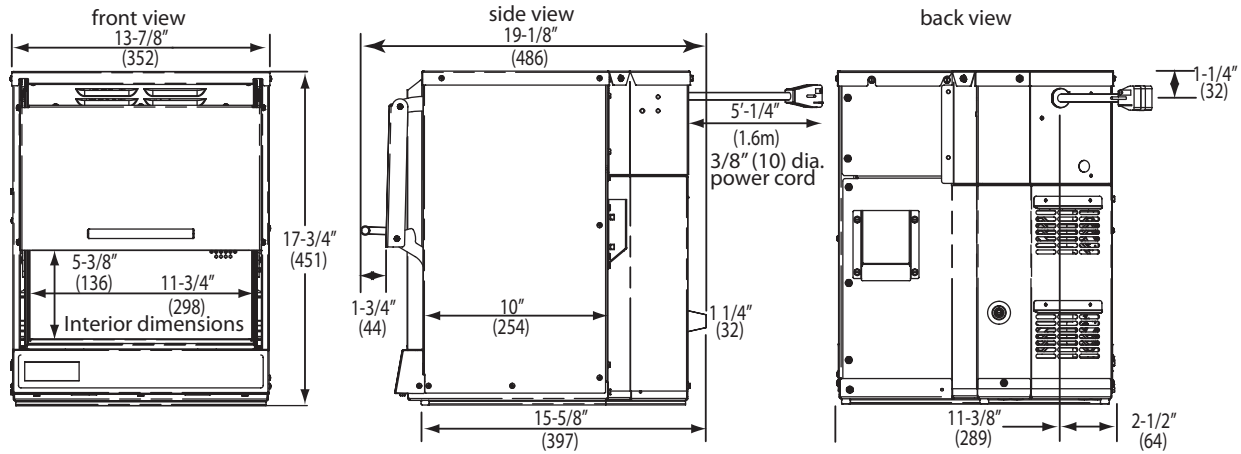
- defrosts most frozen food products

All ACP, Inc. commercial ovens are backed by our Culinary Center.



Patents Pending

MenuMaster Commercial Microwave Model MOC5241 | Heavy Volume



Installation Clearance: 7" (177.79) top, 1" (25.4) sides

Drawings available from KCL CADlog - techs@kclcad.com

Specification #:

Specifications			
Model	MOC5241	UPC Code 705105607306	
Configuration	Countertop or shelf		
Control System	Touch, angled for easy viewing		
Programmable Control Pads	10		
Total Programmable Settings	100		
Max. Cooking Time	10:00		
Power Levels	11		
Defrost	Yes		
Time Entry Option	Yes		
Microwave Distribution	Rotating antennas, top and bottom		
Magnetrons	2		
Display	LED		
Stackable	Yes		
Stage Cooking	Yes, 4		
Door Opening	Automatic opening		
Signal	Door automatically opens at end of cycle		
Exterior Dimensions	H 451 (17 3/4")	W 352 (13 7/8")	D** 486 (19 1/8")
Cavity Dimensions	H 136 (5 3/8")	W 298 (11 3/4")	D 254 (10")
Door Depth	n/a		
Usable Cavity Space	9 liter (.319 cubic ft.)		
Exterior Finish	Stainless steel		
Interior Finish	Stainless steel		
Power Consumption	3100 W, 14.9 A		
Power Output*	2400 W* Microwave		
Power Source	230 V, 50 Hz, 16 A single phase		
Plug Configuration / Cord	CEE 7/7 "Schuko"	1.6m (5' 1/4")	
Frequency	2450 MHz		
Product Weight	32 kg (70 lbs.)		
Ship weight (approx.)	33 kg (73 lbs.)		
Shipping Carton Size	H 524 (20 5/8")	W 432 (17")	D 559 (22")

Specifications

Microwave oven door shall automatically open when cooking cycle is complete. Door shall remain open until ready to cook next item. To minimize space usage, door shall open upwards. Control pad shall be angled for easy viewing and located so door can be closed and control pad pushed in one ergonomic motion. Control pad shall be programmable with the ability to program up to 100 menu items, single or double digit entry. There shall be 11 power levels including defrost mode, and 4 cooking stages. Microwave shall have a 10-minute digital countdown timer. Microwave output shall be 2400 watts. Top and bottom magnetrons with rotating antennas shall provide uniform heat distribution throughout the cavity. Oven shall be stackable and have a compact, "jigsaw" shaped footprint for back-to back placement on a 724 mm (28 1/2") shelf or countertop using only 346mm (13 5/8"). Oven cavity shall be stainless steel construction with stainless oven door. Bottom of 9 liter (.319 cubic ft.) cavity shall be ceramic plate with a high temperature, cleanable seal. Microwave oven shall comply with standards set by the U.S Department of Health and Human Services, and ETL Listed for safety.

Optional Accessories

Shelf extender accessory (OS10) attaches to an existing shelf to extend it out to 724mm (28 1/2").

Warranty

Warranty Certificate for this product can be found by locating it on the ACP, Inc. website at: www.acpsolutions.com/warranty



AIA File #:

Measurements are in millimeters
 * IEC 60705 Tested
 ** Includes handle

