
DESPIECE TECNICO

Beta 3 L 4 Litros

LAVANDERIA

Febrero 2007 February



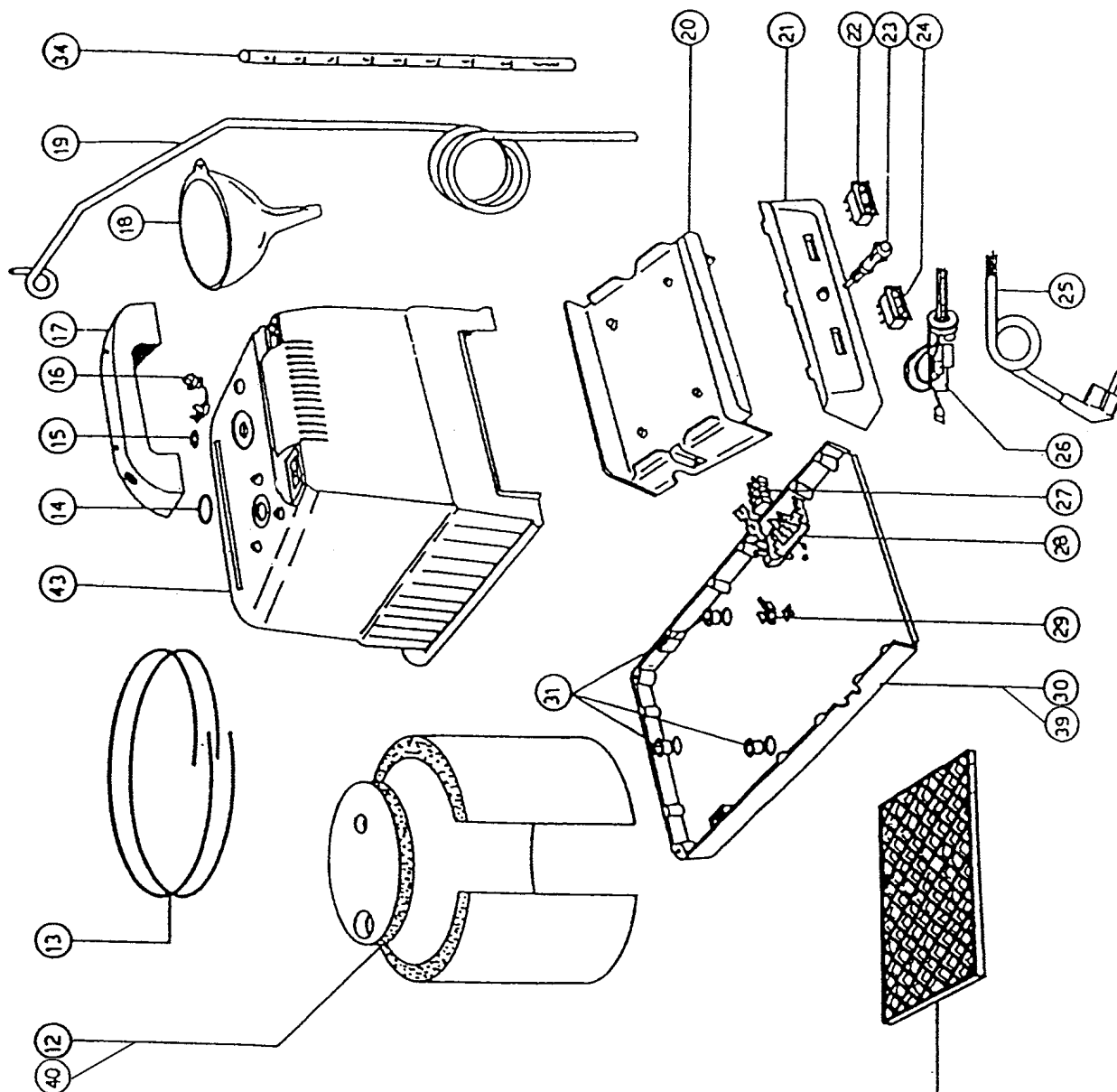
Fagor Industrial



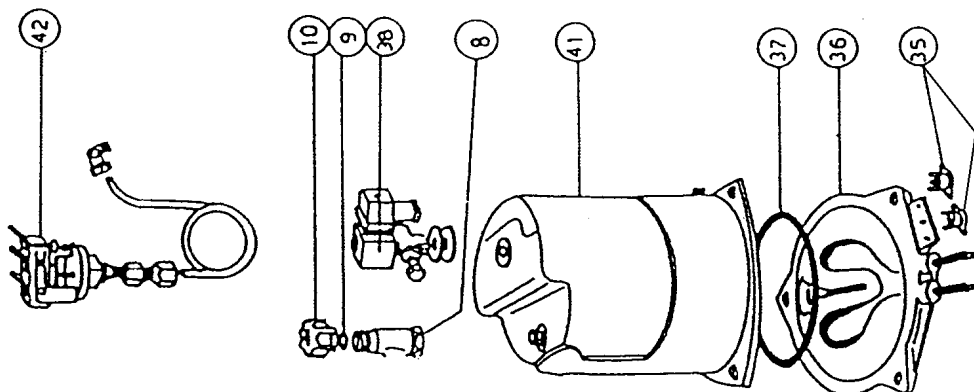
Fagor Industrial

BETA 3 L 4





CALDERA BETA 3 L4 DE 4 LITROS

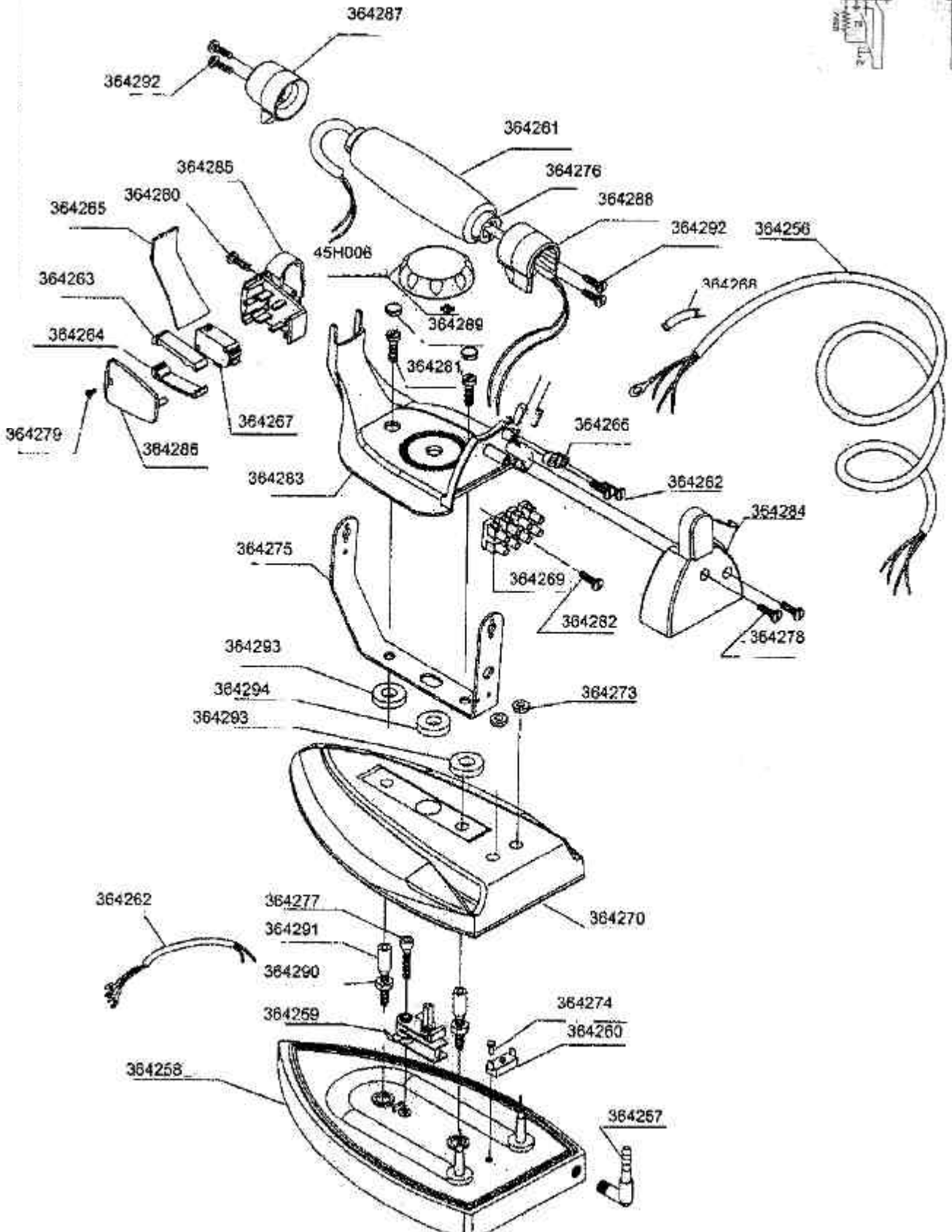
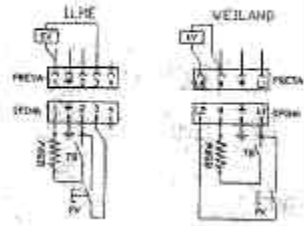


CALDAIA 4l.
BOILER 4l.
CHAUDIÈRE 4l.
KESSEL 4l.

43	GH22D001	Capota con manilla	Casing with handle
42	GH45G009	Presostato	Pressostat
41	GH201020	Caldera 4 L	Boiler 4 L
40	---	Aislante térmico caldera	Thermal insulating material
39	GH34D005	Base beta 3 L4	Base beta 3 L4
38	GH39B006	Electroválvula con regulación	Electrovalve with regulator
37	GH24A015	Junta caldera 3l.	Boiler gaskets 3L
36	GH212040	Resistencia caldera 1400 W	Boiler heater element 1400 W
35	GH45B007	Grupo termostatos caldera	Group of thermostat for boiler
34	GHZ27A01	Varilla control nivel de agua	Water level rod
31	GH224246	Distanciadores en Dutral	Dutral spacers
29	GH51F003	Tuerca en jaula	Caged nut
28	GH43J002	Porta-regleta	Clamps holding bag
27	GH43J001	Regleta	Clamps holder
26	GH46C020	Sujetacables de alimentación	Cable fastener
25	GH463283	Cable con enchufe	Plug with wire
24	GH43A058	Interruptor caldera	Boiler switch
23	GH43C004	Piloto	Pilot lamp
22	GH43A058	Interruptor completo	Complete iron switch
21	GH34D002	Panel de mando	Control panel
20	GH34D003	Soporte plancha	Iron rest support
19	GH534266	Antena sujetacables	Cable-holding fork
18	GH22I001	Embudo	Funnel
17	GH22D002	Manilla	Andel
16	GH46C019	Sujetacables cordón eléctrico	Cable fastener for electrical wire
15	GH244218	Junta orificio electroválvula	Electrovalve hole gasket
14	GH244219	Junta orificio válvula de seguridad	Safety electrovalve hole gasket
13	GH51X015	Anillos para aislante caldera	Rings for boiler insulating
10	GH524221	Tapón caldera con junta	Boiler cap with gasket
9	GH244251	Junta tapón caldera	Cap gasket
8	GH524223	Racord	Racord
1	GH25A003	Posa-plancha de silicona	Silicon iron best
Nº	REFERENCIA	DESCRIPCION	DESCRIPTION
BETA 3 L4			
BETA 3 L4			

PLANCHA MODELO "K"
Ref: GHPLANCHAK

220/240 V - 50/60 Hz

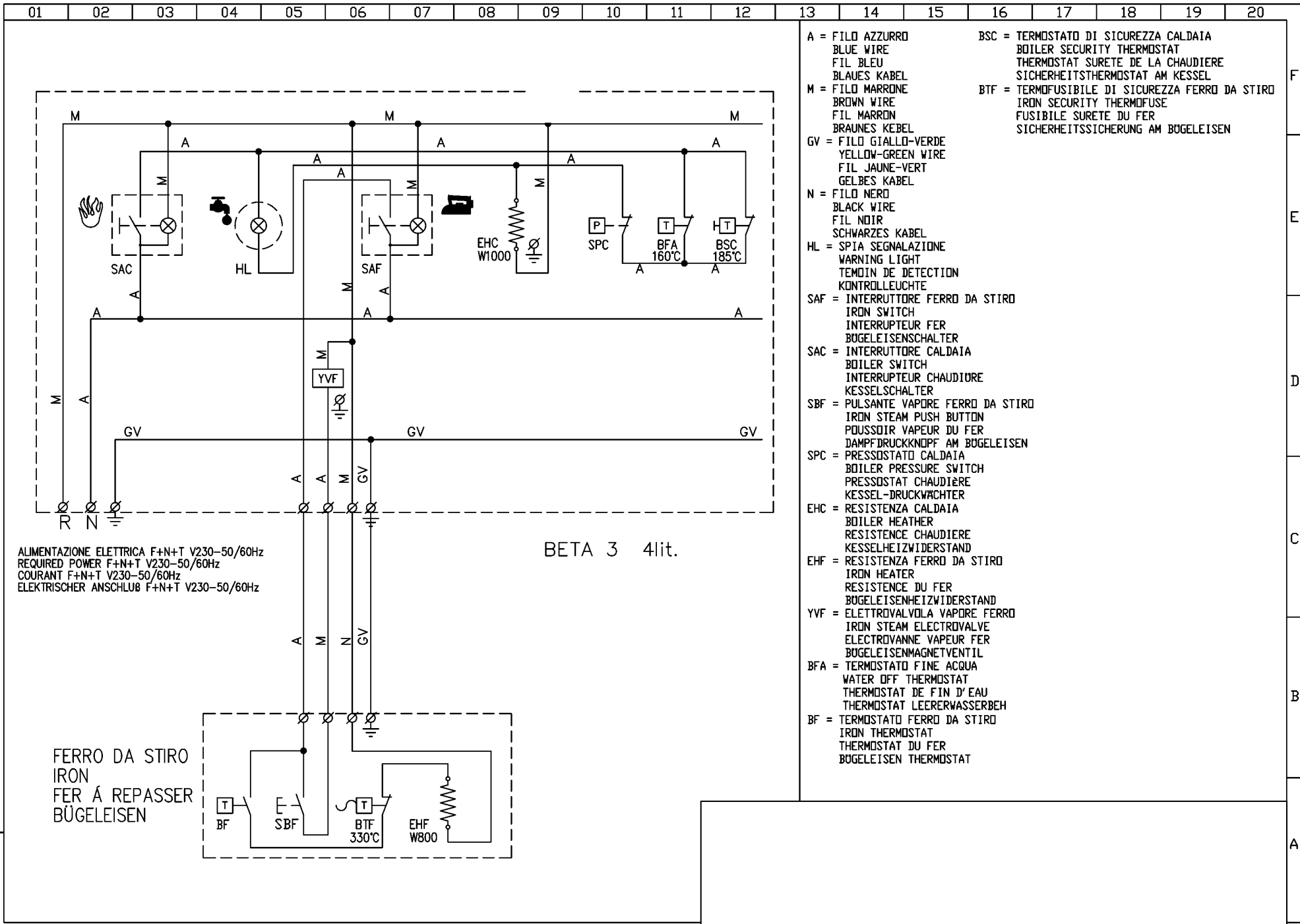


PLANCHA MODELO “K”

Referencia plancha modelo “K” completa: GHPLANCHAK.

Reference of the complete iron model “K”: GHPLANCHAK.

REFERENCIA	DESCRIPCION	DESCRIPTION
GH364273	Aislante cubierta	Rubber stop for ironing board element
GH364256	Cable electrico	Power cord for iron FS455
GH364274	Tornillo termostato	Screw for bulb thermostat
GH364257	Conector portagoma	Nickeked brass angle connection
GH364258	Base resistencia	Iron plate
GH364259	Termostato regulable	Adjustable thermostat
GH364260	Termostato seguridad 271 rearme manual	Thermostat 271 with manual reset
GH364261	Mango plancha K	Iron cork handgrip
GH364275	Soporte	Bracketed
GH364270	Cubierta plancha K	Chromium plated cap
GH364262	Cable plancha K	Wiring
GH364276	Casquillo mango	Cork handle insert
GH364277	Tornillo M4x22 de termostato	Screw M4x22 for thermostat
GH364278	Tornillo tapa trasera	Screw for self-threading
GH364279	Tornillo tapa micro	Screw for micro fastening
GH364280	Tornillo micro	Screw for micro holder
GH364281	Tornillo soporte mango	Screw to fix handle
GH364282	Tornillo terminales	Screw for terminal board
GH364283	Soporte mango	Handle cover
GH364284	Tapa trasera	Backhandle
GH364285	Amarre micro	Button
GH364286	Tapa micro	Button cover
GH364263	Cubierta micro superior	Upper button
GH364264	Cubierta micro inferior	Under button
GH364265	Tapa inferior	Plate for bracket cover
GH364266	Amarre cableado	Cord stop
GH364287	Amarre mango frontal	Front cork handle
GH364288	Amarre mango trasero	Back handle holder
GH364289	Tornillo	Screw cover plug
GH364290	Arandela distanciador	Brassspacer washer
GH364291	Espaciador	Male female brass spacer
GH364267	Micro completo	Complete microswitch
GH364292	Tornillo mango	Tightened handle screw
GH45H006	Mango termostato	Bachelite black handle
GH364293	Arandela separadora	Under handle washer for screws
GH364294	Arandela distanciadora	Under handle washer for handgrip
GH364268	Brida cordon electrico	Rubber stop for power cord
GH364269	Terminales	4 pole terminal block PA27FV
GHZ23F09	Silueta teflón	Armoured teflon sole
REFERENCIA	DESCRIPCION	DESCRIPTION



- A = FILO AZZURRO
BLUE WIRE
FIL BLEU
BLAUES KABEL
- M = FILO MARRONE
BROWN WIRE
FIL MARRON
BRAUNES KEBEL
- GV = FILO GIALLO-VERDE
YELLOW-GREEN WIRE
FIL JAUNE-VERT
GELBES KABEL
- N = FILO NERO
BLACK WIRE
FIL NOIR
SCHWARZES KABEL
- HL = SPIA SEGNALAZIONE
WARNING LIGHT
TEMOIN DE DETECTION
KONTROLLEUCHE
- SAF = INTERRUTTORE FERRO DA STIRO
IRON SWITCH
INTERRUPTEUR FER
BÜGELEISENSCHALTER
- SAC = INTERRUTTORE CALDAIA
BOILER SWITCH
INTERRUPTEUR CHAUDIERE
KESSELSCHALTER
- SBF = PULSANTE VAPORE FERRO DA STIRO
IRON STEAM PUSH BUTTON
POUSSOIR VAPEUR DU FER
DAMPFDRUCKKNOPF AM BÜGELEISEN
- SPC = PRESSOSTATO CALDAIA
BOILER PRESSURE SWITCH
PRESSOSTAT CHAUDIERE
KESSEL-DRUCKWÄCHTER
- EHC = RESISTENZA CALDAIA
BOILER HEATHER
RESISTENCE CHAUDIERE
KESSELHEIZWIDERSTAND
- EHF = RESISTENZA FERRO DA STIRO
IRON HEATER
RESISTENCE DU FER
BÜGELEISENHEIZWIDERSTAND
- YVF = ELETTROVALVOLA VAPORE FERRO
IRON STEAM ELECTROVALVE
ELECTROVANNE VAPEUR FER
BÜGELEISENMAGNETVENTIL
- BFA = TERMOSTATO FINE ACQUA
WATER OFF THERMOSTAT
THERMOSTAT DE FIN D'EAU
THERMOSTAT LEERERWASSERBEH
- BF = TERMOSTATO FERRO DA STIRO
IRON THERMOSTAT
THERMOSTAT DU FER
BÜGELEISEN THERMOSTAT
- BSC = TERMOSTATO DI SICUREZZA CALDAIA
BOILER SECURITY THERMOSTAT
THERMOSTAT SURETE DE LA CHAUDIERE
SICHERHEITSTHERMOSTAT AM KESSEL
- BTF = TERMOFUSIBILE DI SICUREZZA FERRO DA STIRO
IRON SECURITY THERMOFUSE
FUSIBILE SURETE DU FER
SICHERHEITSSICHERUNG AM BÜGELEISEN

LEYENDA ESQUEMA ELECTRICO BETA 3 L4
(CALDERA 4 LITROS)

ALIMENTACIÓN ELÉCTRICA F+N+T 230 V-50/60Hz

A= CABLE AZUL

M= CABLE MARRÓN

GV = CABLE AMARILLO – VERDE

N= CABLE NEGRO

HL= PILOTO DE SEÑALIZACIÓN

SAF= INTERRUPTOR PLANCHA

SAC= INTERRUPTOR CALDERA

SBF= BOTÓN VAPOR PLANCHA

SPC= PRESOSTATO CALDERA

EHC= RESISTENCIA CALDERA

EHF= RESISTENCIA PLANCHA

YVF= ELECTROVÁLVULA VAPOR PLANCHA

BFA= TERMOSTATO FIN DE AGUA 160 GRADOS

BF = TERMOSTATO PLANCHA

BSC= TERMOSTATO DE SEGURIDAD CALDERA 185 GRADOS

BTF= TERMOFUSIBLE 330 GRADOS EN PLANCHA